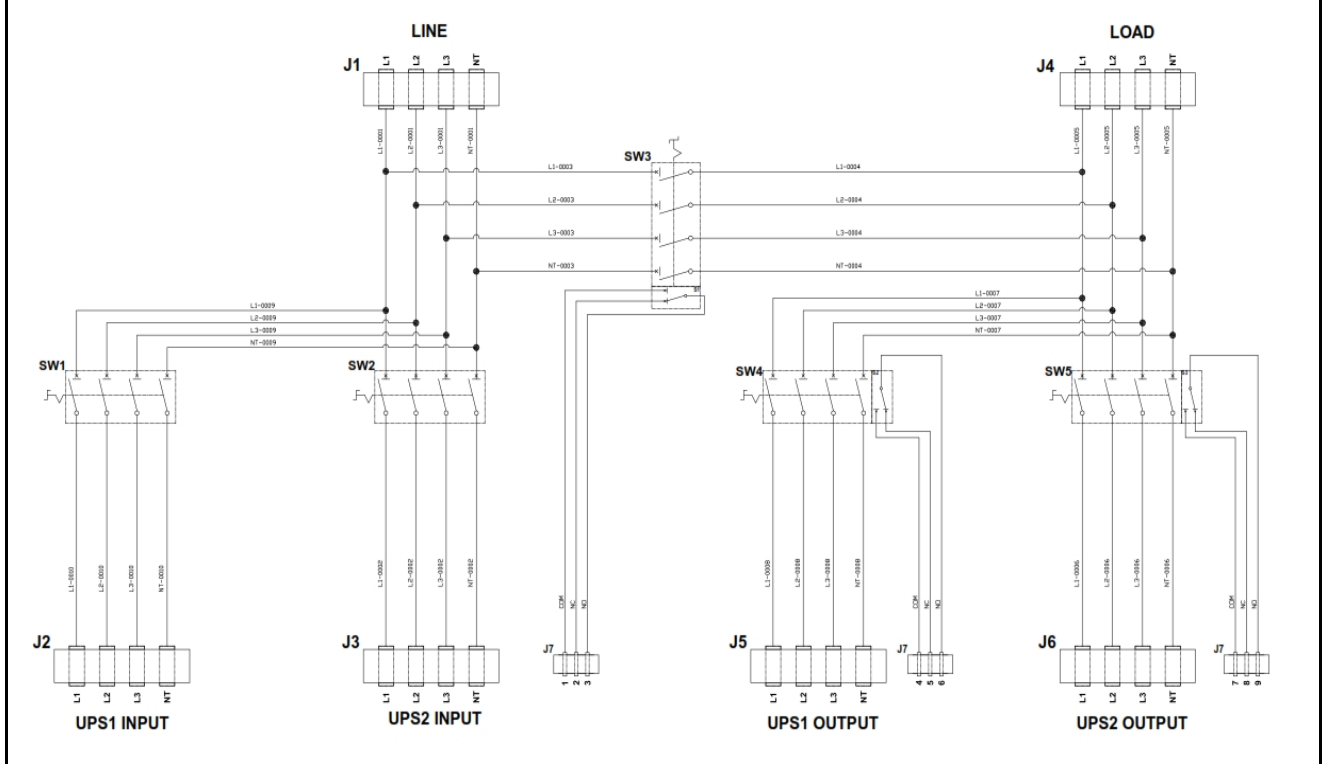


PRODUCT CARD	
PRODUCT MODEL	MSBP0025A02HV1-SW4
PRODUCT WEIGHT (Kg)	
DESCRIPTION	25A 02 UPS NONE ANALYZER INPUT-OUTPUT=4 POLE BY PASS=4POLE

FEATURES			
KEY TYPE	SWITCH - DISCONNECTORS	UPS QUANTITY	2
POWER ANALYZER	NO	BRAND	TELERGON

SINGLE LINE DRAWINGS



PANEL

PANEL CODE	MKSBP0010	USED RECORDS			
SIZE(mm)(WxHxD)	400 x 600 x 120	PG 21	1 PIECE	PG 29	6 PIECE
PANEL WEIGHT(Kg)		ASSEMBLY SIZE(mm)(WxHxD)		468 x 600 x 162,9	

