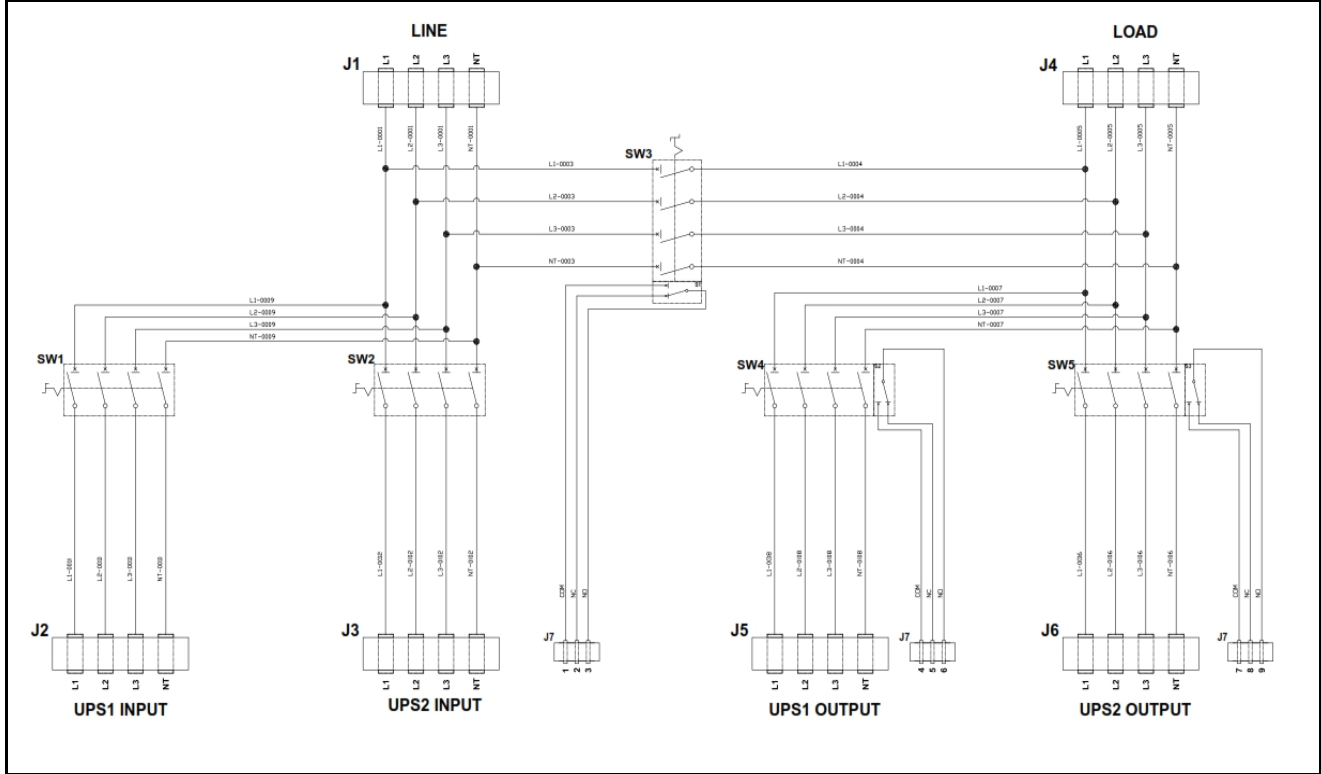


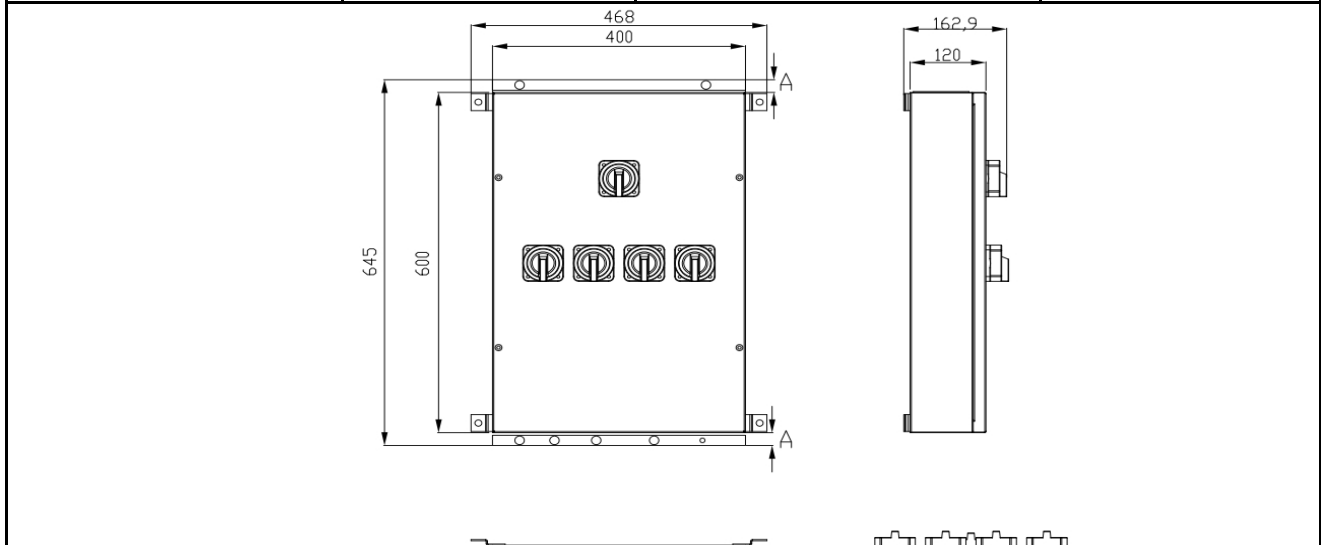
| PRODUCT CARD | |
|---------------------|--|
| PRODUCT MODEL | MSBP0040A02HV1-SW4 |
| PRODUCT WEIGHT (Kg) | |
| DESCRIPTION | 40A 02 UPS NONE ANALYZER INPUT-OUTPUT=4 POLE BY PASS=4POLE |

| FEATURES | | | |
|----------------|------------------------|--------------|----------|
| KEY TYPE | SWITCH - DISCONNECTORS | UPS QUANTITY | 2 |
| POWER ANALYZER | NO | BRAND | TELERGON |

SINGLE LINE DRAWINGS



| PANEL | | | | | |
|------------------|-----------------|--------------------------|---------|-------------------|---------|
| PANEL CODE | MKSBP0010 | USED RECORDS | | | |
| SIZE(mm)(WxHxD) | 400 x 600 x 120 | PG 21 | 1 PIECE | PG 29 | 6 PIECE |
| PANEL WEIGHT(Kg) | | ASSEMBLY SIZE(mm)(WxHxD) | | 468 x 600 x 162,9 | |



| TYPES OF RECORD | | |
|-----------------|-------|-------|
| NAME | A | ∅ |
| PG 21 | 43 mm | 28 mm |
| PG 29 | 43 mm | 28 mm |