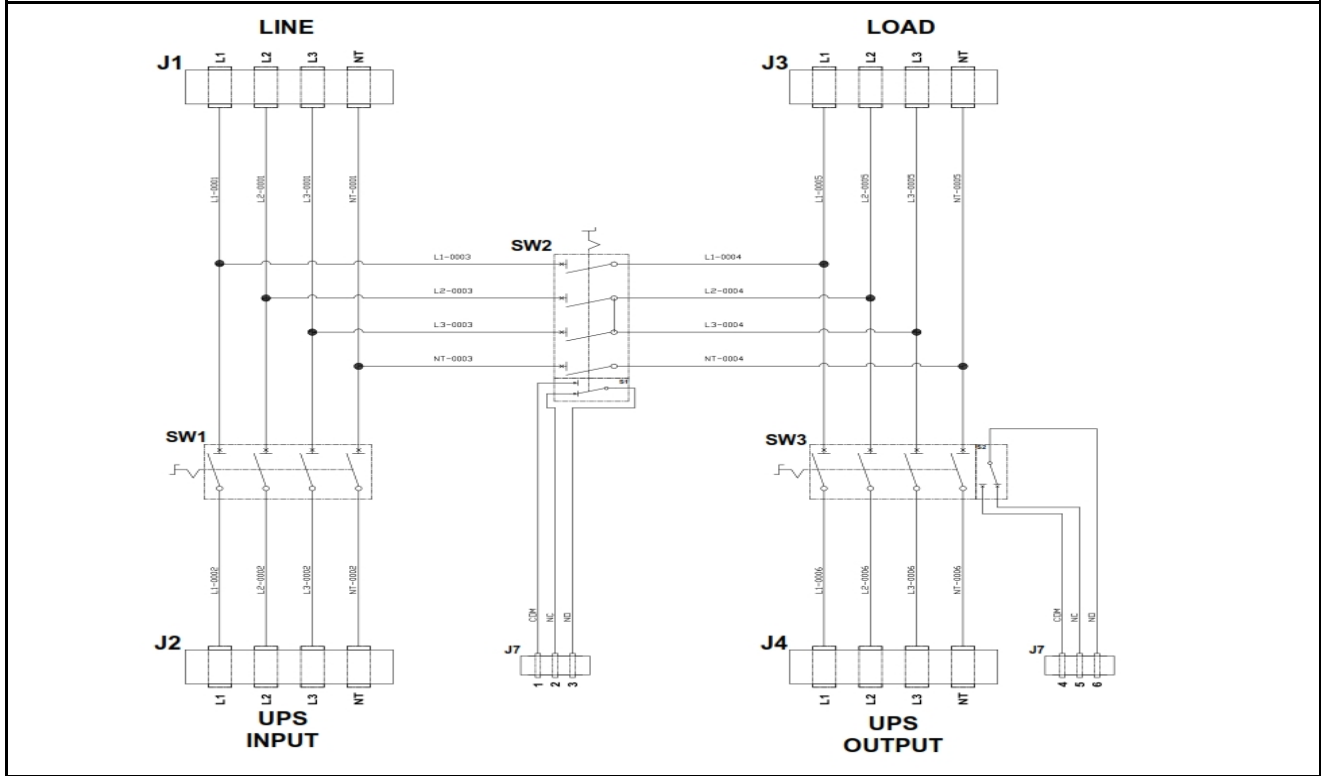


| PRODUCT CARD        |  |
|---------------------|--|
| PRODUCT MODEL       | MSBP0063A01HV2-SW2   |
| PRODUCT WEIGHT (Kg) | ~14.4  |
| DESCRIPTION         | 63A 01 UPS NONE ANALYZER INPUT-OUTPUT=4 POLE BY PASS=4POLE |

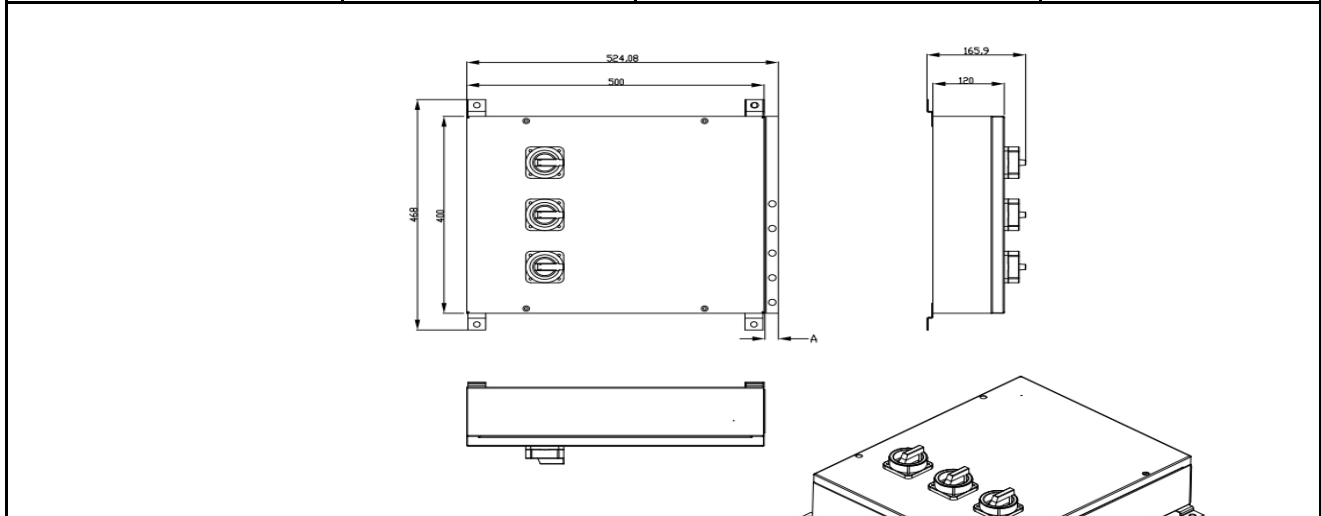
| FEATURES       |                        |              |          |
|----------------|------------------------|--------------|----------|
| KEY TYPE       | SWITCH - DISCONNECTORS | UPS QUANTITY | 1        |
| POWER ANALYZER | NO                     | BRAND        | TELERGON |

**SINGLE LINE DRAWINGS**



**PANEL**

|                  |                 |                          |         |                     |         |
|------------------|-----------------|--------------------------|---------|---------------------|---------|
| PANEL CODE       | MKSBP0015       | USED RECORDS             |         |                     |         |
| SIZE(mm)(WxHxD)  | 400 x 500 x 120 | PG 16                    | 1 PIECE | PG 36               | 4 PIECE |
| PANEL WEIGHT(Kg) |                 | ASSEMBLY SIZE(mm)(WxHxD) |         | 468 x 524,8 x 165,9 |         |



| TYPES OF RECORD |       |       |
|-----------------|-------|-------|
| NAME            | A     | Ø     |
| PG 16           | 40 mm | 22 mm |
| PG 36           | 61 mm | 47 mm |

