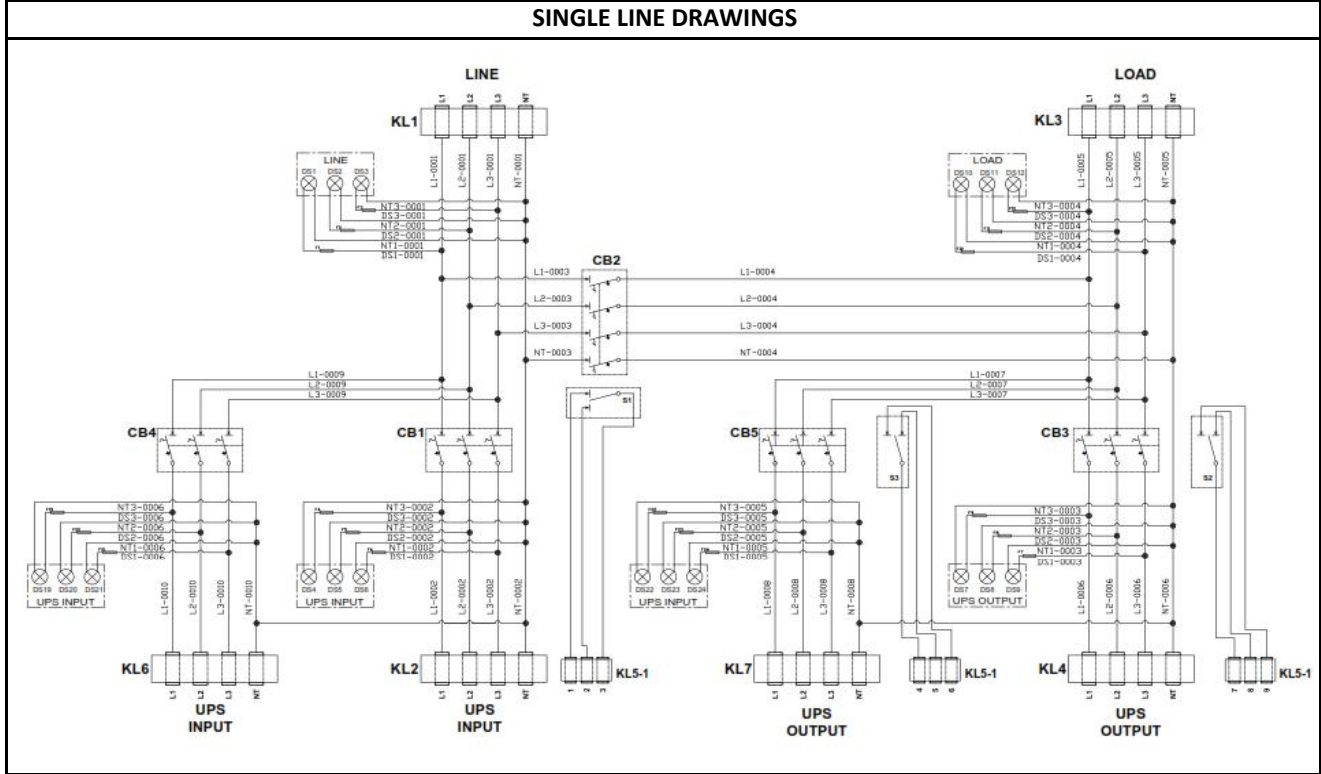
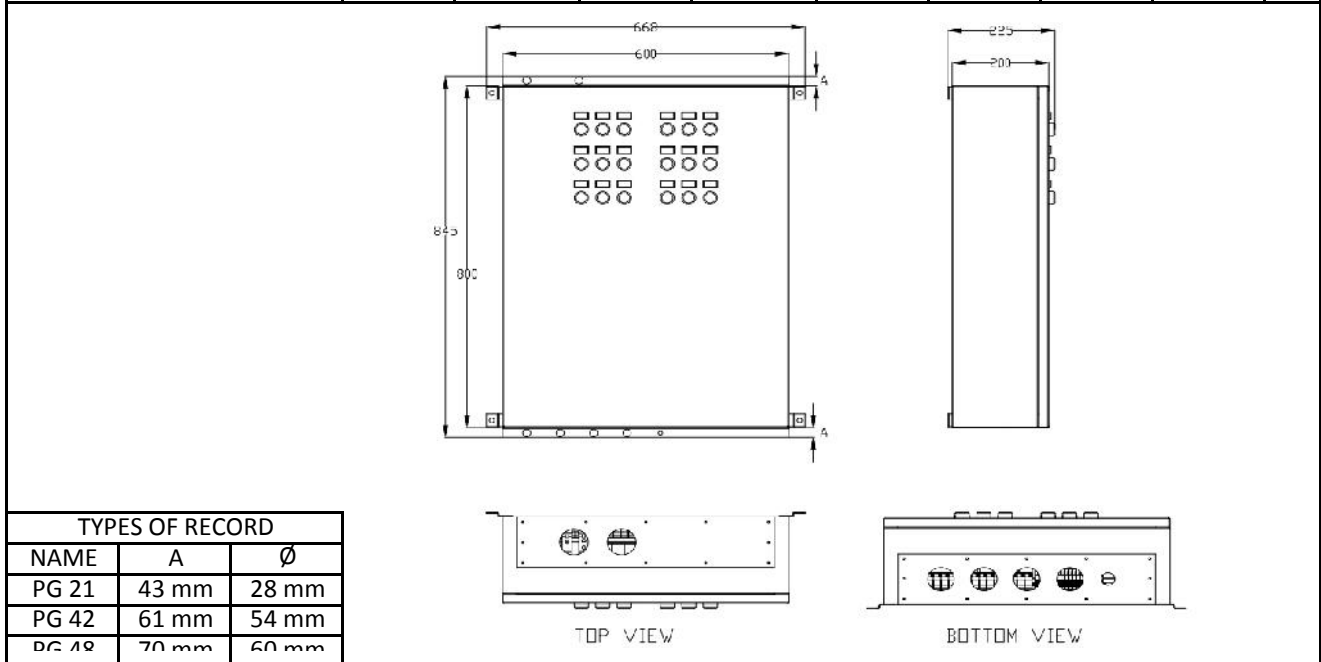


PRODUCT CARD			
PRODUCT MODEL	MSBP0125A02HV1-TM3		
PRODUCT WEIGHT (Kg)			
DESCRIPTION	125A 02 UPS NONE ANALYZER INPUT-OUTPUT=3 POLE BY PASS=4 POLE		
FEATURES			
KEY TYPE	THERMAL MAGNETIC CIRCUIT BREAKER	UPS QUANTITY	2
POWER ANALYZER	NO	POWER LAMP.	YES
BRAND	CHINT		



PANEL							
PANEL CODE	MKSBP0021			PANEL WEIGHT(Kg)			
SIZE(mm)(WxHxD)	600 x 800 x 200			ASSEMBLY SIZE(mm)(WxHxD)		668 x 845 x 225	
USED RECORDS	PG 21	1 PIECE	PG 42	4 PIECE	PG 48	2 PIECE	



TYPES OF RECORD		
NAME	A	Ø
PG 21	43 mm	28 mm
PG 42	61 mm	54 mm
PG 48	70 mm	60 mm