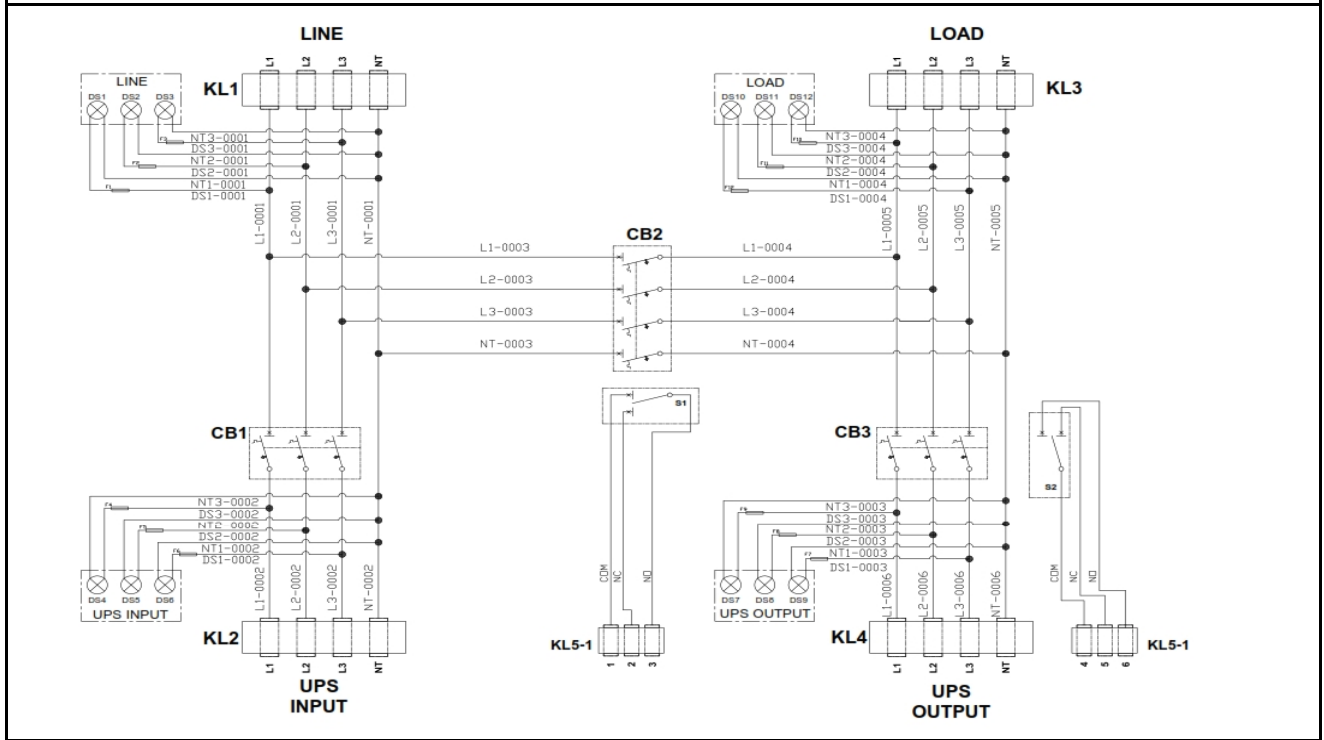


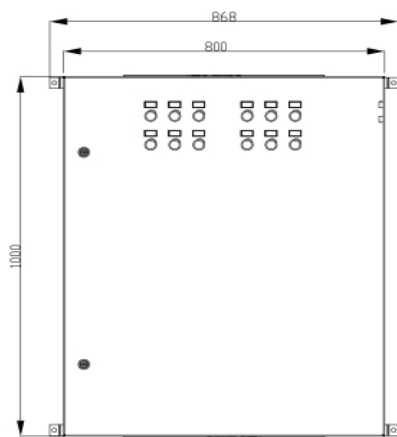
PRODUCT CARD			
PRODUCT MODEL	MSBP0400A01HV1-TM1		
PRODUCT WEIGHT (Kg)			
DESCRIPTION	400A 01 UPS NONE ANALYZER INPUT-OUTPUT=3 POLE BY PASS=4 POLE		
FEATURES			
KEY TYPE	THERMAL MAGNETIC CIRCUIT BREAKER	UPS QUANTITY	1
POWER ANALYZER	NO	POWER LAMP.	YES
BRAND	CHINT		

**SINGLE LINE DRAWINGS**



**PANEL**

PANEL CODE	MKSBP0022-FMP	PANEL WEIGHT(Kg)	
SIZE(mm)(WxHxD)	800 x 1000 x 250	ASSEMBLY SIZE(mm)(WxHxD)	868 x 1000 x 279



TOP VIEW



BOTTOM VIEW